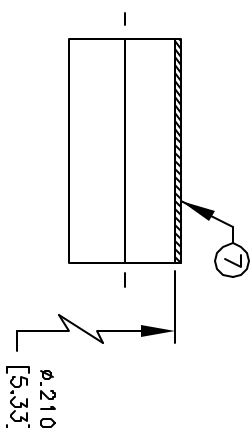
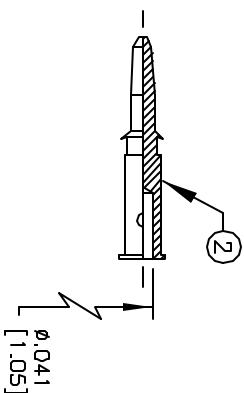
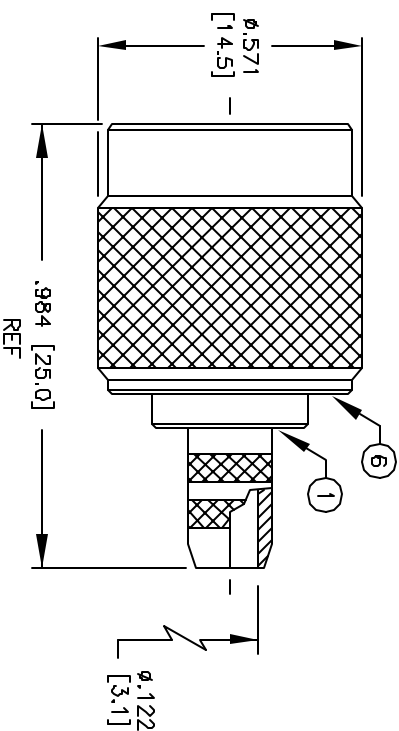


© COPYRIGHT 1998 BY SPC TECHNOLOGY. ALL RIGHTS RESERVED. NO PORTION OF THIS PUBLICATION, WHETHER IN WHOLE OR IN PART CAN BE REPRODUCED WITHOUT THE EXPRESS WRITTEN CONSENT OF SPC TECHNOLOGY.

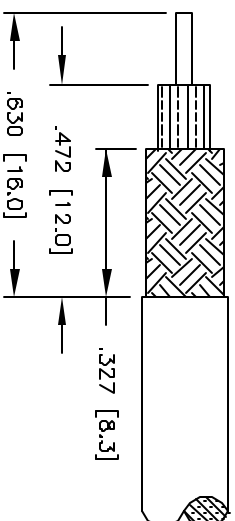


REVISIONS		DOC. NO.	SPC-F005, Total Pages: 2					
DCP #	REV	DESCRIPTION	DRAWN	DATE	CHECKD	DATE	APPRVD	DATE
129	A	RELEASED	DJC	3/10/98	JC	3/13/98	JMM	7/7/98

**SPECIFICATIONS:**

IMPEDANCE: 50 OHMS  
 WORKING VOLTAGE: 500 VRMS @ SEA LEVEL  
 FREQUENCY RANGE: 0-7 GHz  
 INSERTION LOSS: < -2 dB @ 3 GHz  
 VSWR MAX: 1.3:1 @ 3 GHz  
 FOR RG-58, 58A, 58C, 141, 141A, 400/U, BELDEN 8240, 8259, 8262, 9201, 9203, 9310, 9311, COMM/SCOPE 0268 & CUSHCRAFT ULTRALINK TL92463E

ITEM	DESCRIPTION	QTY	MATERIAL	FINISH
7	FERRULE	1	COPPER	NICKEL
6	SHELL	1	BRASS	NICKEL
5	RETAINING RING	1	BRASS	NICKEL
4	GASKET	1	S.I. RUBBER	RED
3	DIELECTRIC	1	DELTRIN	NONE
2	CONTACT	1	BRASS	GOLD
1	BODY	1	BRASS	NICKEL



SUGGESTED STRIPPING INSTRUCTIONS  
 SUGGESTED CRIMP DISS: .068 & .213

**DISCLAIMER**  
 ALL STATEMENTS AND TECHNICAL INFORMATION CONTAINED HEREIN ARE BASED UPON INFORMATION AND/OR TESTS WE BELIEVE TO BE ACCURATE AND RELIABLE. SOME CONDITIONS OF USE ARE NOTED ON THIS DRAWING. THE USER SHALL DETERMINE THE SUITABILITY OF THE PRODUCT FOR THE INTENDED USE AND ASSUME ALL RISK AND LIABILITY WHATSOEVER IN CONNECTION THEREWITH.



**SPC TECHNOLOGY**

UNLESS OTHERWISE SPECIFIED, DIMENSIONS ARE FOR REFERENCE PURPOSES ONLY.

DRAWN BY: DANIEL CAREY  
 CHECKED BY: JOHN COLE  
 APPROVED BY: JEFF MCVICKER

DATE: 3/10/98  
 DATE: 3/13/98  
 DATE: 7/7/98

DRAWING TITLE: TNC MALE CRIMP

SIZE	DWG. NO.	ELECTRONIC FILE	REV
A	1537	92N3383.DWG	A